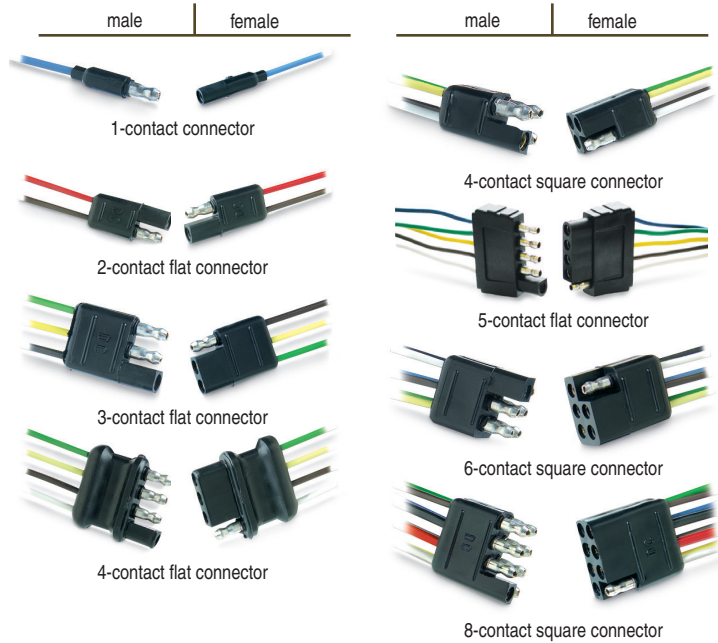


Molded Connectors

Molded Connectors

All molded connectors are manufactured with 16 gauge copper wire, except the 8-contact connector that is manufactured with 3–12 gauge and 5–16 gauge wires. All 4-contact flat connectors are molded with an Easy Grip® for fast and easy disconnect. Color coding in accordance with SAE recommended practice. RoHS.



SPECIAL NOTE

If our catalog does not have the correct wire color or gauge size needed for your application, a custom molded connector can be manufactured to your specification. Minimum order quantities will apply.

Color Chart

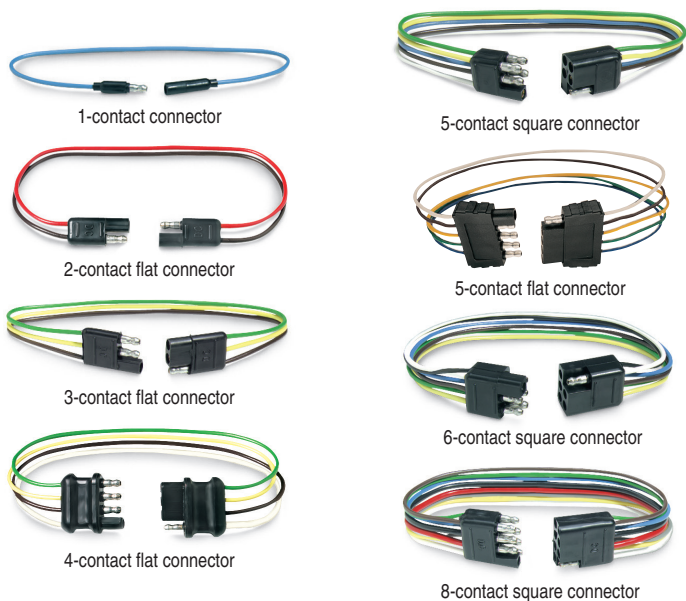
contacts	male end	wire colors	female end
1	1	1. blue	1
2	1 2	1. brown 2. red	1 2
3	1 2 3	1. green 2. yellow 3. brown	1 2 3
4 flat	1 2 3 4	1. green 2. yellow 3. brown 4. white	1 2 3 4
4 square	3 1 4 2	1. green 2. brown 3. yellow 4. white	1 3 2 4
5 square	3 1 4 2 5	1. green 2. blue 3. yellow 4. brown 5. white	1 3 2 4 5
5 flat	1 2 3 4 5	1. blue 2. green 3. yellow 4. brown 5. white	1 2 3 4 5
6	4 1 5 2 6 3	1. yellow 2. brown 3. white 4. green 5. blue 6. black	1 4 2 5 3 6
8	5 1 6 2 7 3 8 4	1. green 2. blue 3. gray 4. yellow 5. brown 6. black 7. red 8. white	1 5 2 6 3 7 4 8

red, white, black wires = 12 gauge; green, blue, brown, yellow, gray = 16 gauge

Molded Connectors With Loop

Molded Connectors with a Loop

Molded trailer connectors are manufactured with a loop of 16 gauge copper primary wire between a male and female end, except 8-contact which are manufactured with 3–12 gauge and 5–16 gauge copper wires. Four-contact, flat connectors are molded with an Easy Grip® for fast and easy disconnects. Loop may be cut to the desired length for splicing into a wiring assembly. RoHS.



SPECIAL NOTE

If our catalog does not have the correct wire color or gauge size needed for your application, a custom molded connector can be manufactured to your specification. Minimum order quantities will apply.

Color Chart

contacts	male end	wire colors	female end
1	1 ●	1. blue	1 ○
2	1 ● 2 ○	1. brown 2. red	1 ○ 2 ●
3	1 ● 2 ● 3 ○	1. green 2. yellow 3. brown	1 ○ 2 ○ 3 ●
4 flat	1 ● 2 ● 3 ● 4 ○	1. green 2. brown 3. brown 4. white	1 ○ 2 ○ 3 ○ 4 ●
4 square	3 ● 1 4 ○ 2	1. green 2. brown 3. yellow 4. white	1 ○ 3 2 ○ 4 ●
5 square	3 ● 1 4 ● 2 5 ○	1. green 2. blue 3. yellow 4. brown 5. white	1 ○ 3 2 ○ 4 5 ○ ●
5 flat	1 ● 2 ● 3 ● 4 ● 5 ○	1. blue 2. green 3. yellow 4. brown 5. white	1 ○ 2 ○ 3 ○ 4 ○ 5 ●
6	4 ● 1 5 ● 2 6 ○ 3	1. yellow 2. brown 3. white 4. green 5. blue 6. black	1 ○ 4 2 ○ 5 3 ○ 6 ●
8	5 ● 1 6 ● 2 7 ● 3 8 ○ 4	1. green 2. blue 3. gray 4. yellow 5. brown 6. black 7. red 8. white	1 ○ 5 2 ○ 6 3 ○ 7 4 ○ 8 ●

red, white, black wires = 12 gauge; green, blue, brown, yellow, gray = 16 gauge