


FEATURES

- 40 Amps Continuous Carrying Current
- Internal Diode or Resistor Option
- Sockets Available
- Fully Automated Assembly


CONTACT RATINGS

Contact Form	1A SPST N.O. 1C SPDT
Contact Rating	1A 40A @ 14VDC, resistive 20A @ 24VDC, resistive 1C NO 40A @ 14VDC, resistive NC 30A @ 14VDC, resistive NO 20A @ 24VDC, resistive NC 15A @ 24VDC, resistive

CHARACTERISTICS

Insulation Resistance	100 MΩ min. at 500 VDC
Dielectric Strength	500 Vrms, 50 Hz, between contacts 750 Vrms, 50 Hz, between coil & contacts
Power Consumption	1.6W, 1.9W, 2.3W
Terminal Strength	8N quick connect, 4N PCB pins
Solderability	260°C 5 s ± 0.5 s
Operating Temperature	-40°C to 125°C
Storage Temperature	-40°C to 155°C
Shock Resistance	147 m/s ² 11 ms
Vibration Resistance	10-40Hz; 1.5mm double amplitude
Weight	31.0g

CONTACT DATA

Maximum Switching Power	560 W
Maximum Switching Voltage	75 VDC
Maximum Continuous Current	40 A
Material	AgSnO ₂
Initial Contact Resistance	30 mΩ max.
Service Life	Mechanical 1 x 10 ⁷ operations Electrical 1 x 10 ⁵ operations

Values can change due to the switching frequency, desired reliability levels, environmental conditions, and in-rush current levels. It is recommended to test to actual load conditions for the application. It is the users responsibility to determine the performance suitability for their specific application. The use of any coil voltage less than the rated coil voltage may compromise the operation of the relay.

ORDERING INFORMATION

Example Model:	PC792A	-1C	-C	-12	S	1.9	-D	N	-X
Contact Form:	1A 1C								
Mounting Version:	C = Plug-In C1 = Plastic Bracket C2 = Metal Bracket C3 = Weatherproof Case with Metal Bracket P = PC Pins								
Coil Voltage:	6 = 6VDC 9 = 9VDC 12 = 12VDC 24 = 24VDC 48 = 48VDC								
Enclosure:	C = Dust Cover S = Sealed S1 = Flux Tight ⁽¹⁾								
Coil Power:	1.6 = 1.6W 1.9 = 1.9W 2.3 = 2.3W ⁽²⁾								
Parallel Component:	Nil = None D = Diode (1N4005) D1 = Reverse Diode (1N4005) R = Resistor (680 Ohms for 12VDC, 2700 for 24VDC)								
Terminal Plating:	Nil = PC Pin N = Nickel Plated Terminals, standard on all Plug-In models								
RoHS Compliant:	-X								

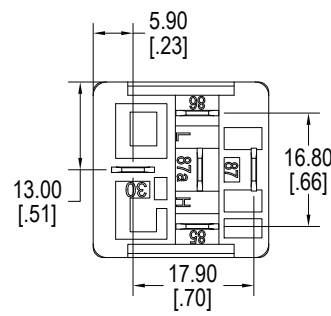
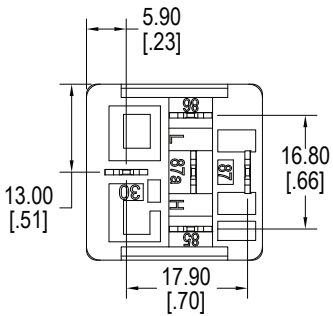
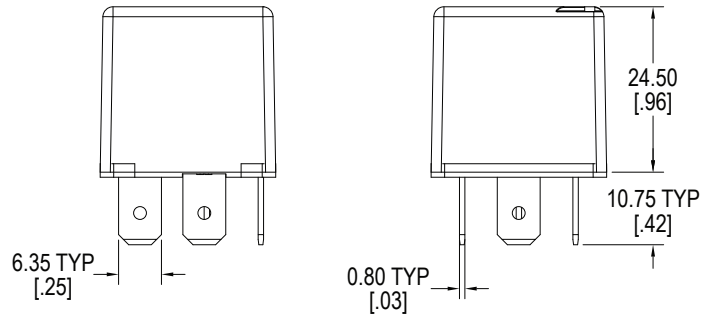
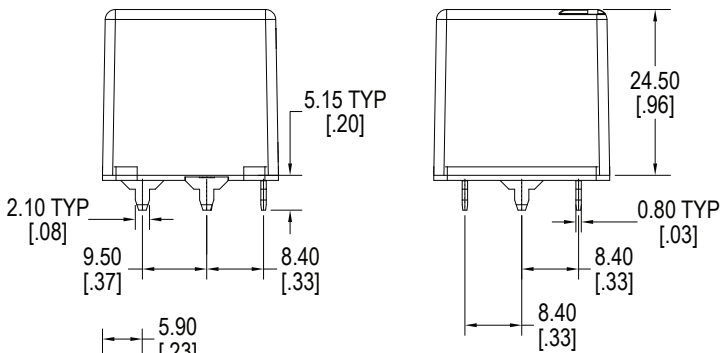
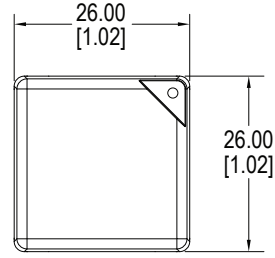
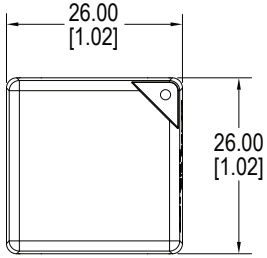
⁽¹⁾ Flux Tight relays are constructed such that Flux will not enter the relay in an automated soldering process, they are NOT suitable for water wash cleaning.

⁽²⁾ Special coil - minimum order quantities apply.

COIL DATA

Coil Voltage		Resistance (Ohms \pm 10%)			Pick Up Voltage Max. VDC	Release Voltage Min. VDC	Coil Power W	Operate Time ms	Release Time ms
Rated	Maximum	1.6W	1.9W	2.3W					
6	7.8	22.5	19	15.6	3.9	0.6	1.6W, 1.9W or 2.3W	\leq 10	\leq 10
9	11.7	5.6	n/a	n/a	5.9	0.9			
12	15.6	90	75.8	62.6	7.8	1.2			
24	31.2	360	303.2	250.4	15.6	2.4			
48	62.4	1440	n/a	n/a	31.2	4.8			

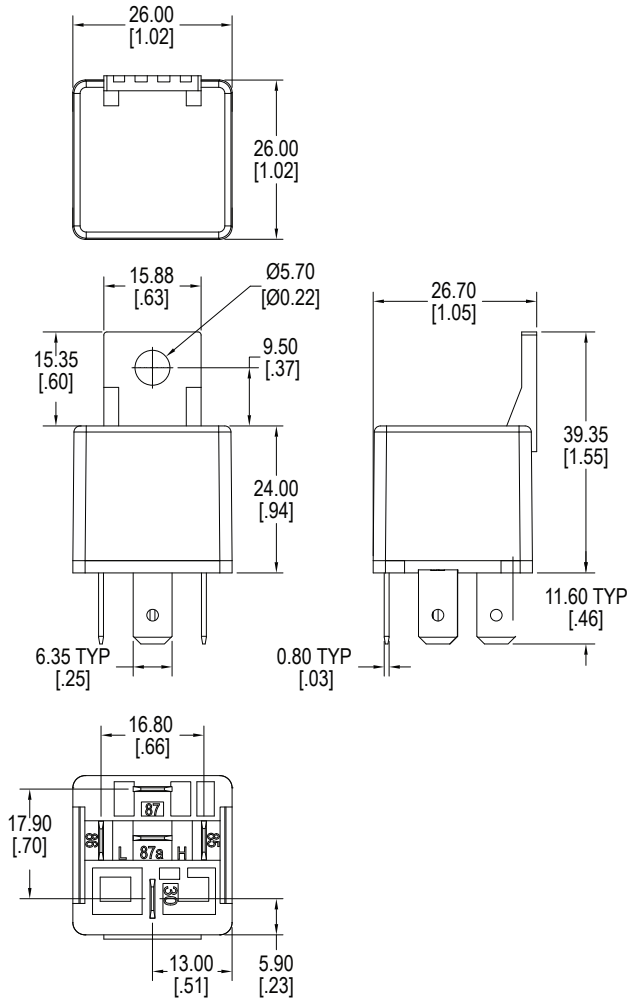
DIMENSIONS mm (inches)



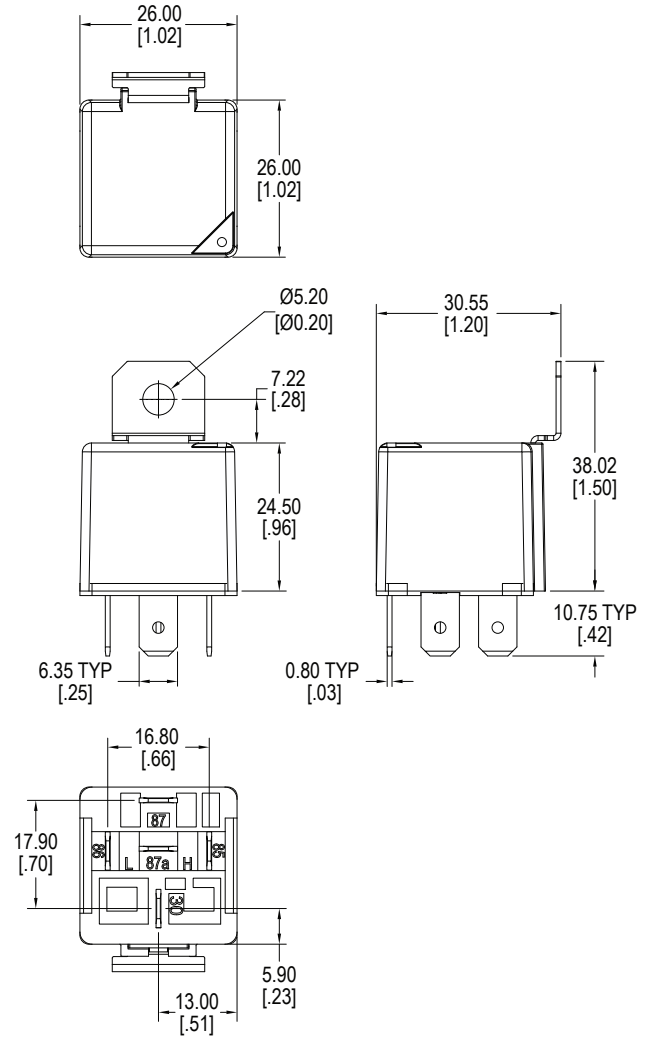
Standard with PC Pins (P)

Standard with Quick Connect (C)

DIMENSIONS mm (inches)

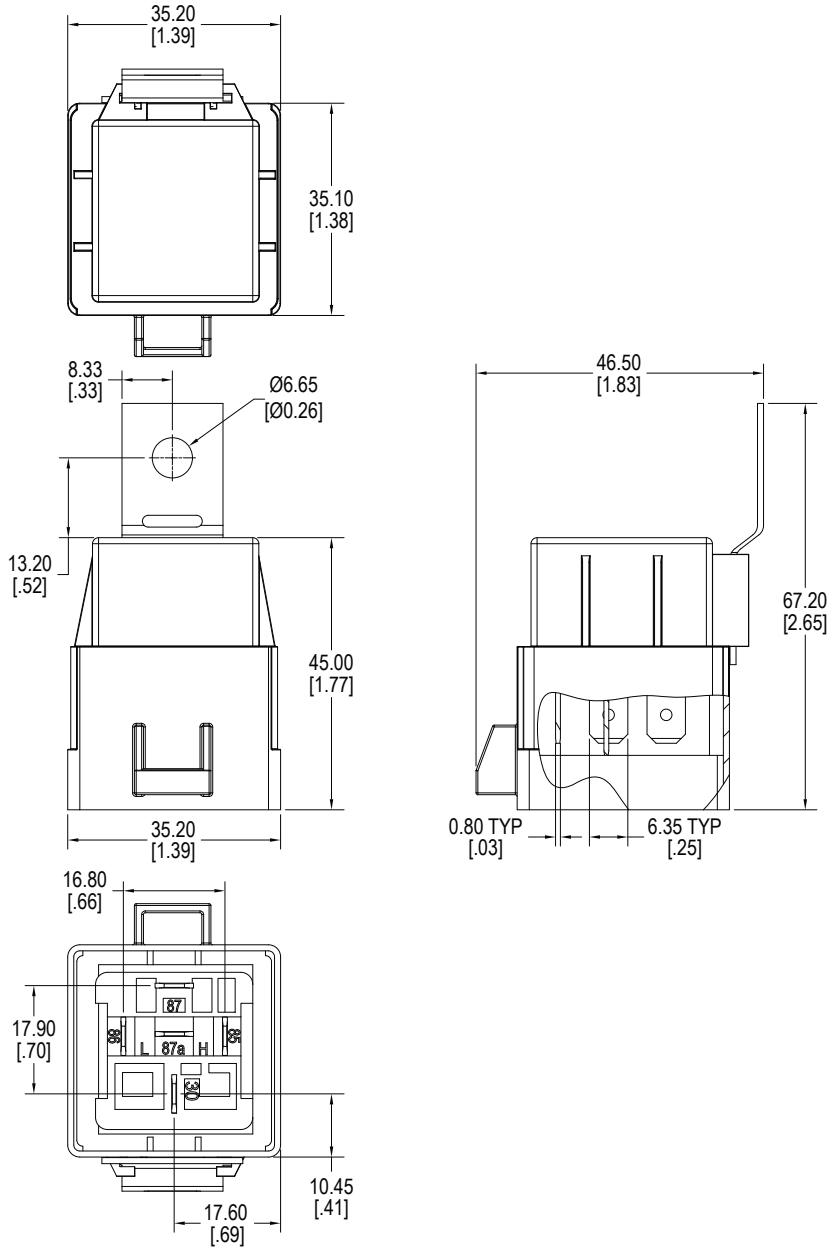


Quick Connect with Plastic Bracket



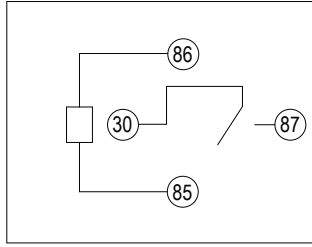
Quick Connect with Metal Bracket

DIMENSIONS mm (inches)

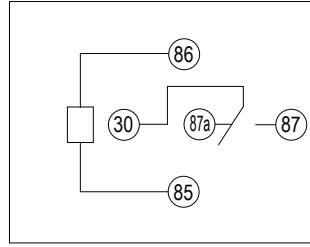


Quick Connect with Weatherproof Shroud

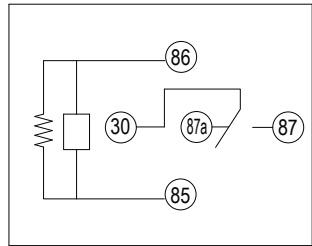
SCHEMATICS *Bottom Views*



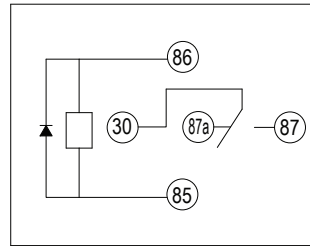
1A



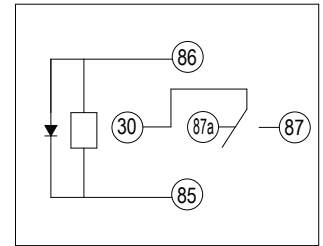
1C



1C with Resistor



1C with Diode



1C with Reverse Diode

PC LAYOUT

